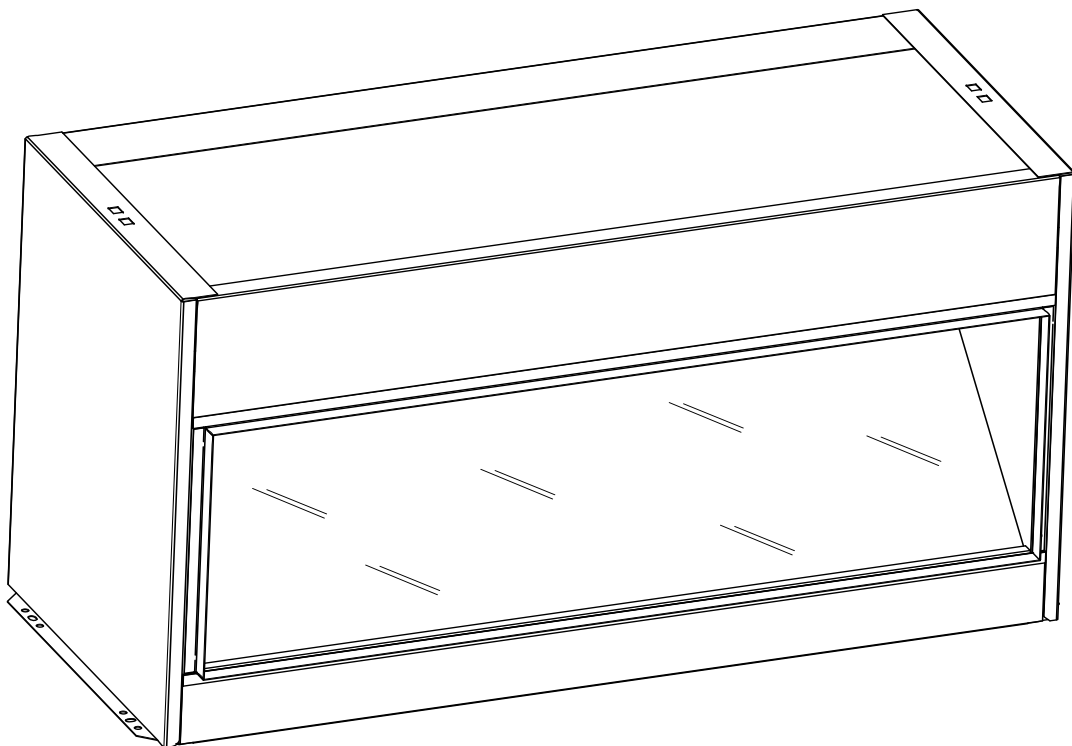


# Dimplex

## Opti-V Fire



Model: PGF10

Instructions

UK

08/51841/1 Issue 1



The product complies with the European Safety Standards EN60335-2-30 and the European Standard Electromagnetic Compatibility (EMC) EN55014, EN60555-2 and EN60555-3 These cover the essential requirements of EEC Directives 2006/95/EC and 2004/108/EC - Patents pending International Application No. : PCT/EP2013/051263 & PCT/EP058211 GB Application : GB1210108.5

# Opti-V Fire : PGF 10

**IMPORTANT: THESE INSTRUCTIONS SHOULD BE READ CAREFULLY AND RETAINED FOR FUTURE REFERENCE**

## Introduction

Thank you for choosing this Dimplex Opti-V fire. Please read information guide carefully to be able to safely install, use and maintain your product. The appliance is designed to be installed into a cabinet or wall opening.

## Important Safety Advice

When using electrical appliances, basic precautions should be followed to reduce the risk of fire, electric shock, and injury to persons, including the following:

If the appliance is damaged, check immediately with the supplier before installation and operation.

Do not use this appliance in the immediate surroundings of a bath, shower or swimming pool.

Means for disconnection must be incorporated in the fixed wiring in accordance with the wiring regulations.

Do not use outdoors.

In the event of a fault switch off the appliance.

Switch off the appliance when not required for long periods.

If the supply cord is damaged, it must be replaced by a special cord or assembly available from the manufacturer or its service agent.

Warning - No naked flame sources, such as candles, should be placed on this apparatus.

Warning - The appliance shall not be exposed to dripping or splashing and that no objects filled with liquid, such as vases, shall be placed on the apparatus.

Warning - this appliance is of Class I construction and must be connected to a mains outlet with protective earthing connection.

## Electrical

### WARNING – THIS APPLIANCE MUST BE EARTHED

Do not switch the appliance on until properly installed. Please read all the safety warnings and operating instructions.

## General

Unpack the appliance carefully and retain the packaging for possible further use, in the event of moving or returning the appliance to the supplier.

## Contents of Carton

- Opti-V Fire Model PGF10
- Remote control and batteries (AAA type)

## Product Features

Volume Control

Remote or Manual operation

Red light indication of standby mode

## Installation

### Warning.

**Do not connect the appliance until properly fixed to a secure base and the instruction leaflet is read fully.**

**At installation of the appliance, care must be taken not to damage any cables that may be concealed in the wall.**

## Positioning the Fire

The Opti-V uses an illusory reflection technique and is designed to work best when ambient light levels are low. If the Opti-V is installed in brightly lit areas, the strong reflections may diminish the flame picture.

## Fixing dimensions

The Opti-V is supplied in an assembled state.

This model is designed to be permanently fixed. Please see **Fig.2a and 2b** for recommended fixing dimensions.

## Height of Fire

There is a choice of height when fitting the fire.

Recommended heights (from floor to bottom opening of fire - \* Fig 2a) :

- Minimum 65cm when the fire is viewed while sitting (e.g. lounge).

- Maximum 110cm when the fire is viewed while standing (e.g. reception area).

## Electrical connection

The outline of the chassis and the position of the electrical socket are shown as dotted outlines in **Fig.4**. Please consult with a qualified electrician for appropriate wiring requirements.

## Operation: -

The power 'ON' switch ('**O/I**' see **Fig.3**) must first be switched '**I**' to operate the appliance.

An 'Opti-V' screen will appear for about 3 seconds before the flame picture starts .

Note: The user may notice a blank screen for approximately 5 seconds, every 30 minutes. This is normal and should not be a cause for concern.

## Manual Control Operation: -

The manual controls for the screen are located at the inner top left hand side of the appliance above the glass.(see **Fig.3**).

The appliance Power switch ('**O/I**' see **Fig.3**) may be used to switch the appliance off ('**O**') when it is not required, for example, overnight or for long periods, to avoid energy wastage. The standby button (⏻) is located just below the mains switch.

## Remote Control Operation: -

The remote control may be operated once the appliance is switched '**I**' ('**I**' see **Fig.3**).

Aim the remote control at the fire (the sensor is indicated in **Fig. 4**). The volume may be adjusted up or down by pressing the volume control buttons ( + and -).

The button functions are identified as described below;

⏻ Standby

- Volume down

+ Volume up

A red light will indicate when the appliance is in standby mode. (see **Fig 4**)

## Remote Control - Battery Information

Note : The remote control is packed separately in the carton.

1. Slide Open the battery cover on the back of the remote transmitter.

2. Install the AAA batteries into the remote control (see **Fig. 5**).

## **Maintenance**

WARNING – ALWAYS DISCONNECT FROM THE POWER SUPPLY BEFORE ATTEMPTING ANY MAINTENANCE.

## **Cleaning**

For general cleaning use a soft clean duster – never use abrasive cleaners. The glass screen should be cleaned carefully with a soft, lint-free cloth.

## **Recycling**

For electrical products sold within the European Community.

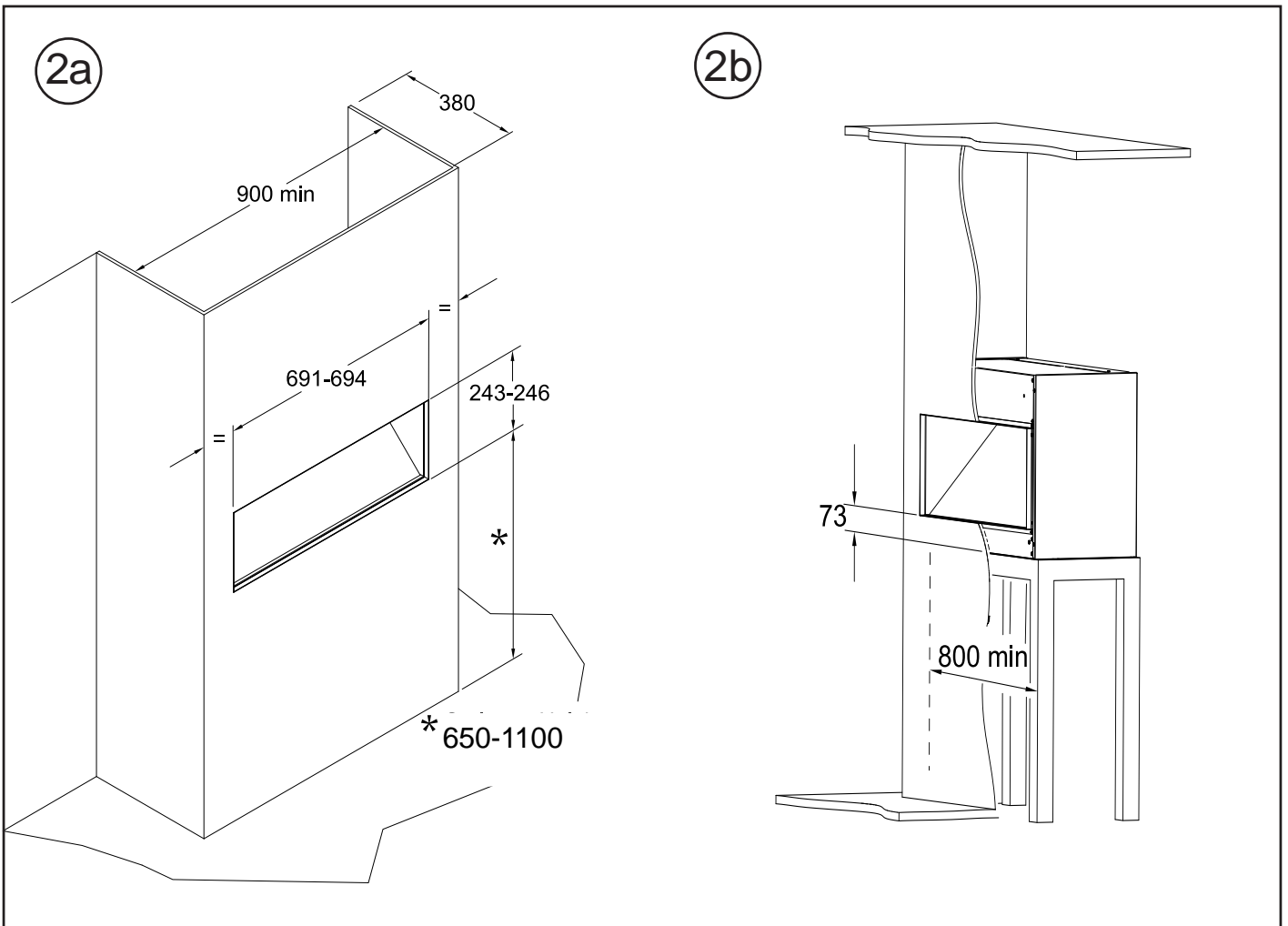
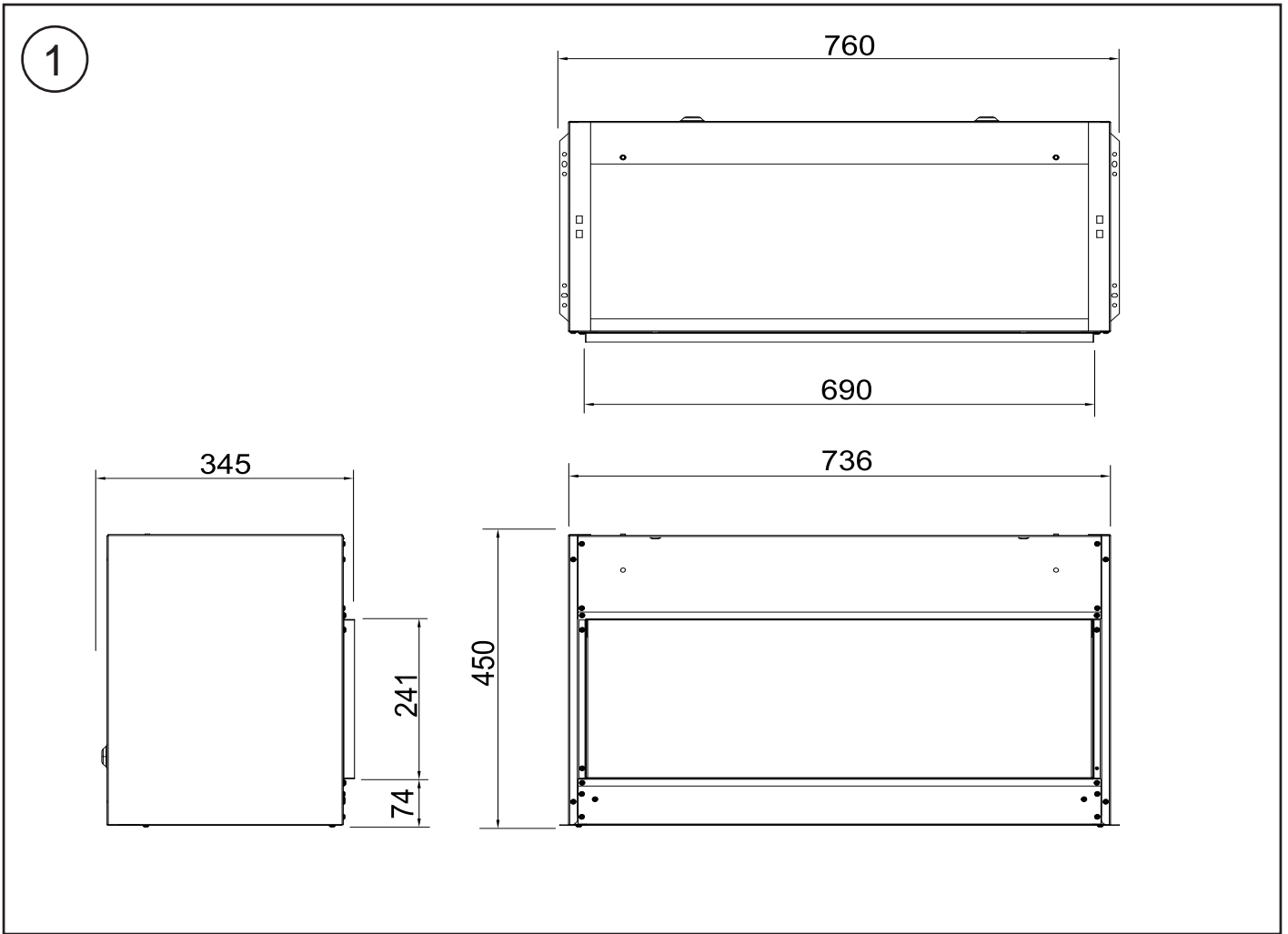


At the end of the electrical products useful life it should not be disposed of with household waste. Please recycle where facilities exist. Check with your Local Authority or retailer for recycling advice in your country.

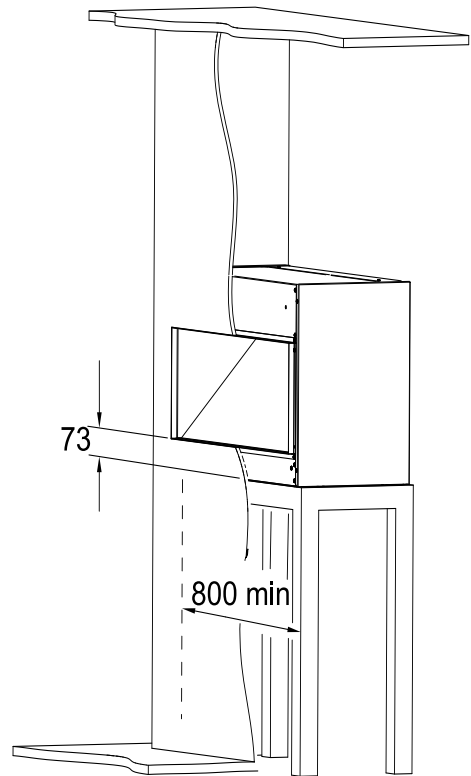
## **After Sales Service**

Should you require after sales service or should you need to purchase any spares, please contact the retailer from whom the appliance was purchased.

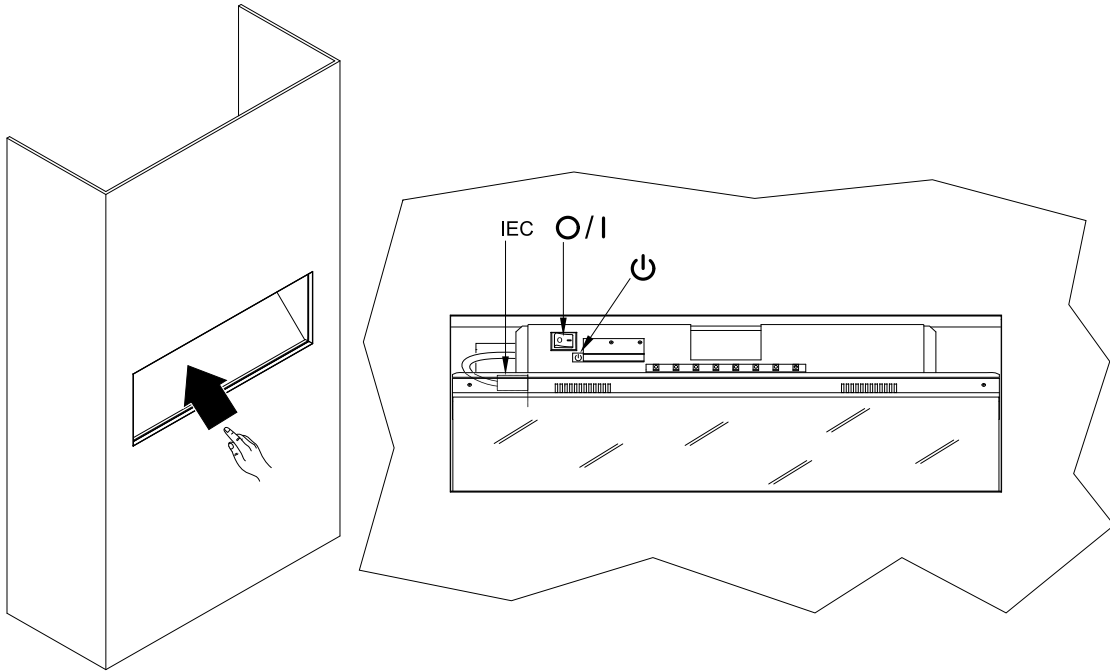
Please retain your receipt for proof of purchase.



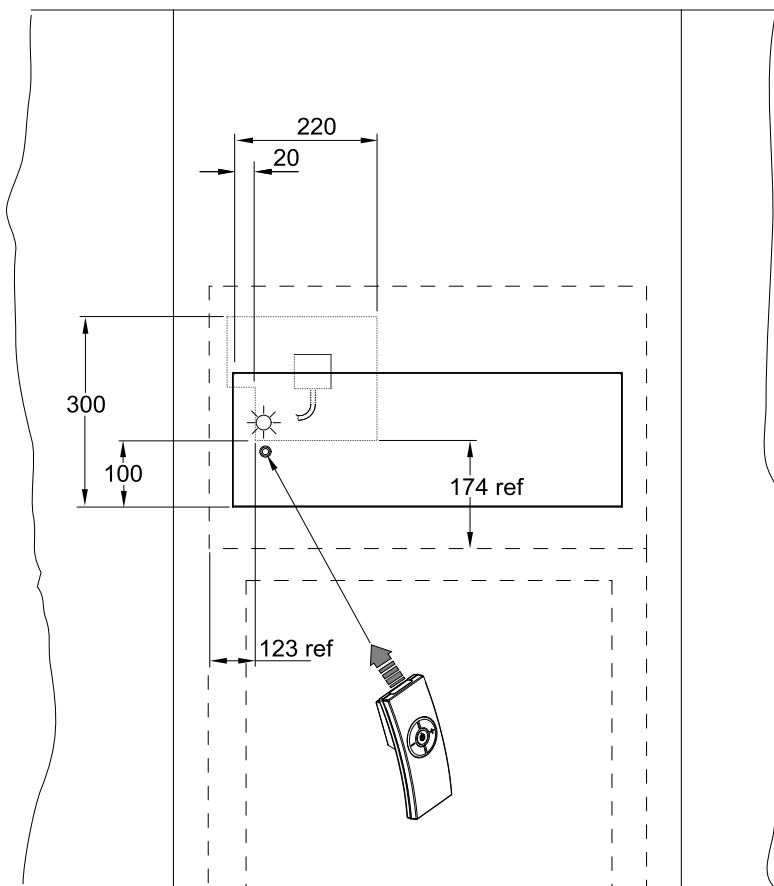
2b



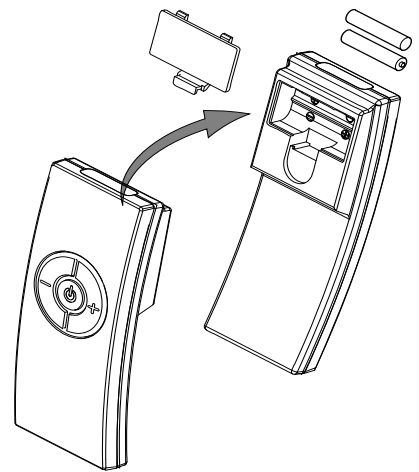
3



4



5







 The product complies with the European Safety Standards EN60335-2-30 and the European Standard Electromagnetic Compatibility (EMC) EN55014, EN60555-2 and EN60555-3 These cover the essential requirements of EEC Directives 2006/95/EC and 2004/108/EC - Patents pending  
International Application No. : PCT/EP2013/051263 & PCT/EP058211 GB Application : GB1210108.5

---

Dimplex

TEL: 0845 600 5111

Millbrook House

FAX: 01489 773050

Grange Drive

WEBSITE: [www.dimplex.co.uk](http://www.dimplex.co.uk)

Hedge End

Republic of Ireland Tel. 01 8424833

Southampton

Hampshire. SO30 2DF

[c] GDC Group Ltd,

All rights reserved. Material contained in this publication may not be reproduced in whole or in part, without prior permission in writing of Dimplex.

A division of GDC Group Ltd,